

TECHNICAL DATA SHEET

OUTSTANDING FEATURES

- ◆ Loop powered 4-20mA.
- ◆ Optional flowmeter linearization.
- ◆ Factory configured when purchased with a Hoffer flowmeter.
- ◆ Several enclosure options.
- ◆ CE Compliant.
- ◆ Windows® Configuration Software



- Load Resistance:** Max 650 Ohms at 24 Vdc.
- Accuracy:** ±0.02% of full scale.
- Temperature Drift:** 40 ppm/deg. C.
- Communications:** RS232 port for configuration and diagnostics.
- Operating Temperature:** -40° to +185°F.
(-40° to +85°C).
- Humidity:** 0-90% Non-Condensing.
- Enclosure:** Extruded Aluminum.
DIN Rail Mount.
Explosion-Proof.
- Regulatory:** CE Compliant.

Up to 20 point linearization.

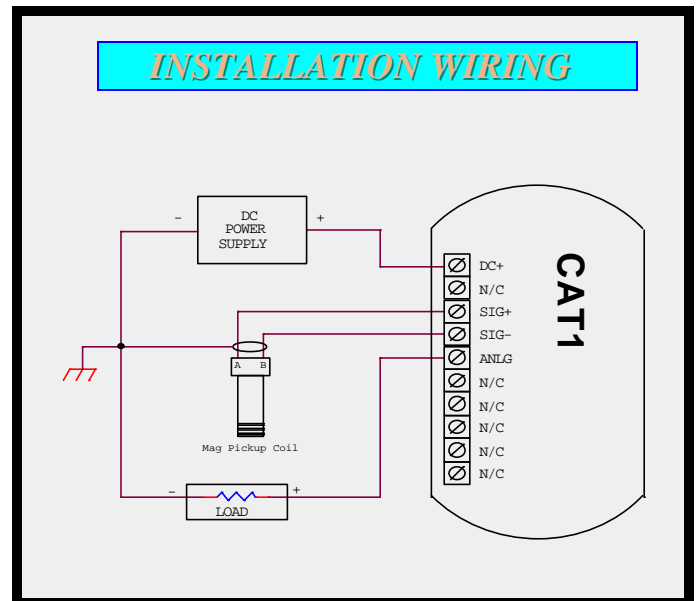
Windows® Configuration Software for device configuration, diagnostics and monitoring.

PRODUCT DESCRIPTION

The CAT1 is a microprocessor controlled 2-wire 4-20mA transmitter. The CAT1 converts a low level, frequency signal from a flowmeter sensor into an analog 4-20mA output. The output is proportional to the flow rate.

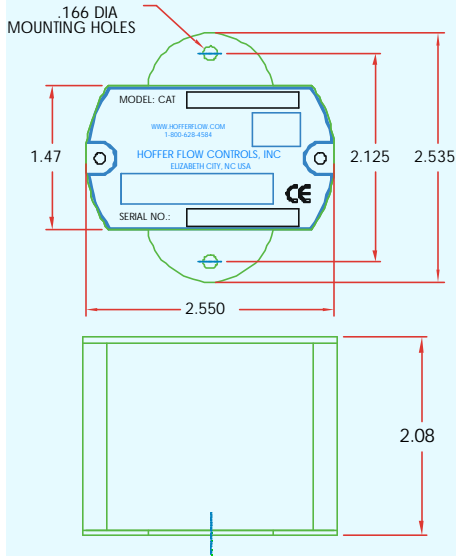
SPECIFICATIONS

- Input Signal Type:** Magnetic pickup.
- Input Frequency Range:** 0.2 Hz to 4 KHz.
- Signal Level:** 10 mV rms to 30 Vdc.
- Power Supply:** Loop Power 10-30 Vdc.
Reverse polarity protected.
- Loop Burden Voltage:** 8.5 V.
- Analog Output:** 4-20mA.
24mA overflow condition.

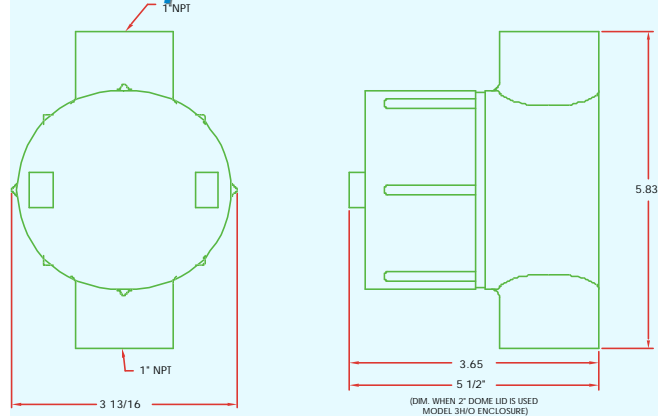


ENCLOSURE OPTIONS

General Purpose Enclosure

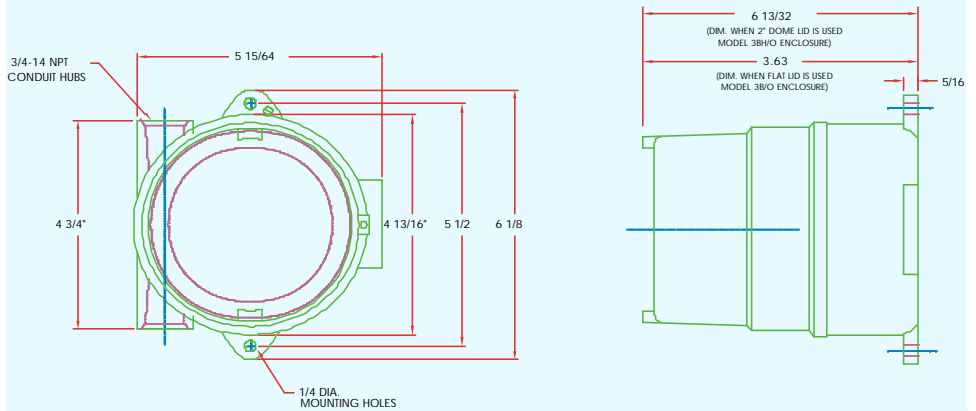


3/0 Explosion-Proof Enclosure



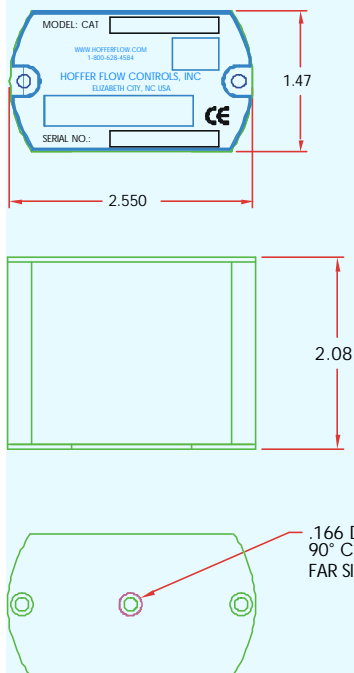
Enclosure meets Class I, Groups C & D. Class II, Groups E, F & G. Nema 4X with O-Ring, UL and CSA Approved.

3B/0 Explosion-Proof Enclosure

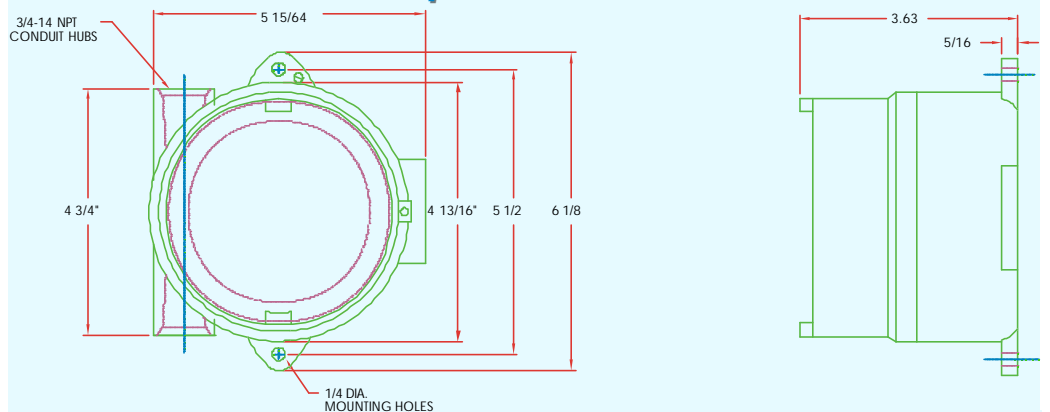


Enclosure meets Class I, Div 1 & 2, Groups A, B, C & D. Class 1, Zones 1 & 2, Groups IIB + H2 IIA. Class II, Div 1 & 2 Groups E, F & G. Class III. Nema 3, 4 7(B, C, D) 9(E, F, G). Cenelec EEx d IIC IP66, UL, CSA, FM Approved.

Din Rail Enclosure



3B/0-ATEX Explosion-Proof Enclosure



Enclosure meets Class I, Div 1 & 2, Groups A, B, C & D. Class 1, Zones 1 & 2, Groups IIB + H2 IIA. Class II, Div 1 & 2 Groups E, F & G. Class III. Nema 3, 4 7(B, C, D) 9(E, F, G). Cenelec EEx d IIC IP66, UL, CSA, FM Approved. ATEX Certified.



HOFFER FLOW CONTROLS, INC.

107 Kitty Hawk Lane, P. O. Box 2145, Elizabeth City, NC 27906-2145

800-628-4584

252-331-1997

FAX 252-331-2886

www.hofferflow.com

email: info@hofferflow.com

Litre Meter Limited
Hart Hill Barn,
Granborough Road
North Marston
Buckingham
MK18 3RZ. UK

Tel: 01296 670200

Fax: 01296 670999

<http://www.litremeter.com>
sales@litremeter.com



ISO9001
Registered Company