



LITRE METER

Specialist flow measurement engineering

4-20 mA Transmitter & Pulse Output



CAT2

CAT2 SERIES

Conditioners-Amplifiers-Transmitters
Product Bulletin CAT2-002C

TECHNICAL DATA SHEET

OUTSTANDING FEATURES

- ◆ DC or AC powered transmitter.
- ◆ Pulse and analog output.
- ◆ Optional Hi and Lo alarms.
- ◆ Factory configured when purchased with a Hoffer flowmeter.
- ◆ Several Enclosure options.
- ◆ CE Compliant.

PRODUCT DESCRIPTION

The CAT2 is a versatile DC or AC powered transmitter that can be interfaced with any Hoffer flow sensor. It provides a pulse output and an analog signal proportional to the flow rate. The CAT2 can be configured with High and Low alarms.

SPECIFICATIONS

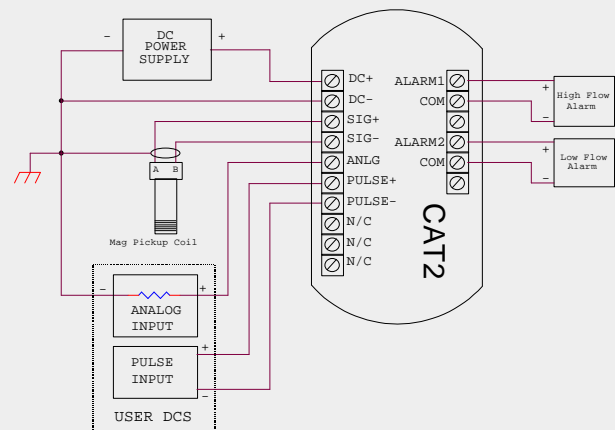
- Input Signal Type:** Magnetic pickup, * MCP pickup, Contact Closure, Pulse.
- Input Frequency Range:** 0.2 Hz to 4 KHz.
- Signal Level:** 10 mV rms to 30 Vdc.
- Power Supply:** 8-30 Vdc, 100-240 Vac. Reverse polarity protection.
- Analog Output:** 4-20mA, 1-5V, 0-5V, * 0-10V.
- Load Resistance:** Max 550 Ohms at 24 Vdc.
- Accuracy:** ±0.1% of full scale.
- Temperature Drift:** 200 ppm/deg. C.
- Zero and Span Adjustments**
- Pulse Output:** 0-5, * 0-10V, Open Collector, AC Square. Internal pull up 10 k Ohms. Recommended minimum load resistance 50 k Ohms.

Note: * Requires 12-30 Vdc power supply.



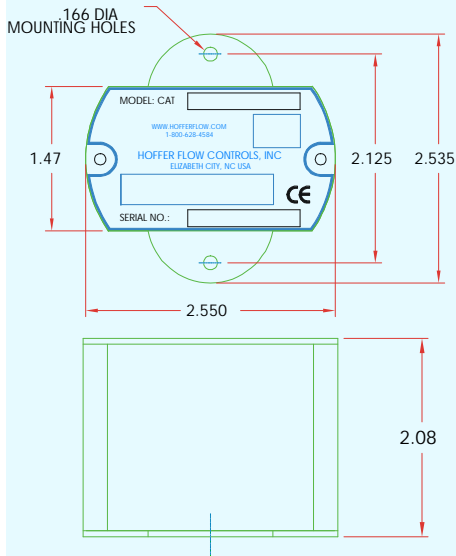
- Pulse Scaling:** Divide by 2,4,8,16,32.
- Hi/Lo Alarm:** Relay (2A, 30Vdc), 0-5V, Open Collector (0.5A, 30V).
- Operating Temperature:** -40° to +185° F.
(-40° to +85° C).
- Humidity:** 0-90% Non-Condensing.
- Enclosure:** Extruded Aluminum.
DIN Rail Mount.
Explosion-Proof.
CE Compliant.
- Regulatory:**

INSTALLATION WIRING

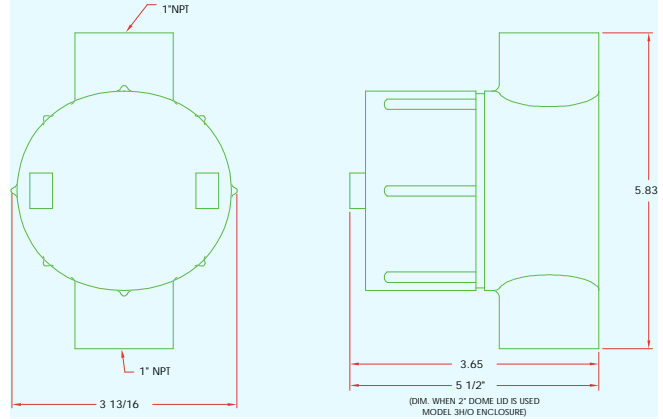


ENCLOSURE OPTIONS

General Purpose Enclosure

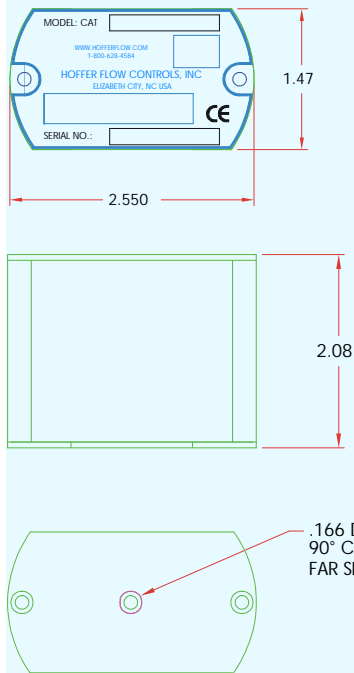


3/0 Explosion-Proof Enclosure

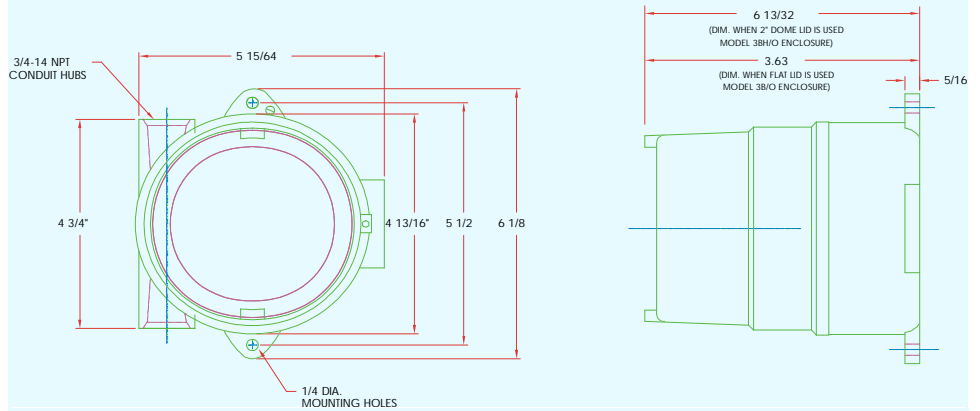


Enclosure meets Class I, Groups C & D. Class II, Groups E, F & G. Nema 4X with O-Ring, UL and CSA Approved.

Din Rail Enclosure

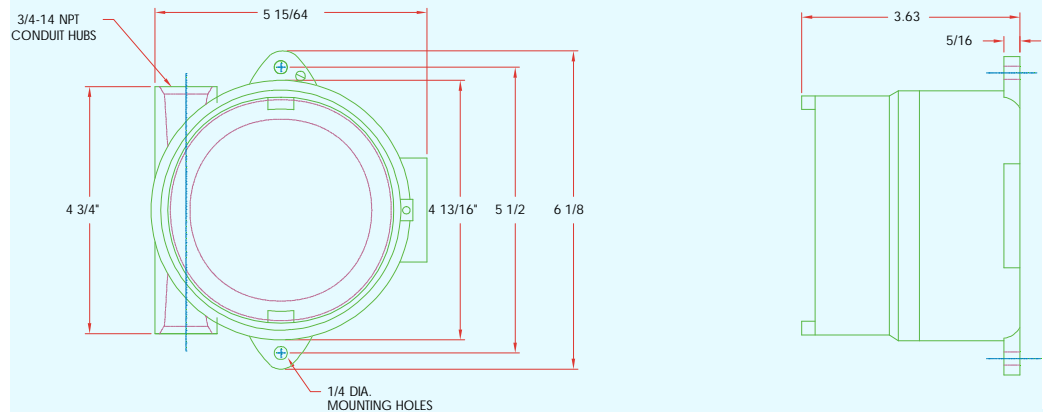


3B/0 Explosion-Proof Enclosure



Enclosure meets Class I, Div 1 & 2, Groups A, B, C & D. Class 1, Zones 1 & 2, Groups IIB + H2 IIA. Class II, Div 1 & 2 Groups E, F & G. Class III. Nema 3, 4 7(B, C, D) 9(E, F, G). Cenelec EEx d IIC IP66, UL, CSA, FM Approved.

3B/0-ATEX Explosion-Proof Enclosure



Enclosure meets Class I, Div 1 & 2, Groups A, B, C & D. Class 1, Zones 1 & 2, Groups IIB + H2 IIA. Class II, Div 1 & 2 Groups E, F & G. Class III. Nema 3, 4 7(B, C, D) 9(E, F, G). Cenelec EEx d IIC IP66, UL, CSA, FM Approved. ATEX Certified.

H **HOFFER FLOW CONTROLS, INC.**
107 Kitty Hawk Lane, P. O. Box 2145, Elizabeth City, NC 27906-2145
800-628-4584 252-331-1997 FAX 252-331-2886
www.hofferflow.com email: info@hofferflow.com

Litre Meter Limited Tel: 01296 670200
Hart Hill Barn, Fax: 01296 670999
Granborough Road
North Marston
Buckingham
MK18 3RZ, UK
http://www.litremeter.com
sales@litremeter.com

