

4-20 mA & Scaled Pulse Output

TECHNICAL DATA SHEET

OUTSTANDING FEATURES

- ◆ DC or AC powered.
- ◆ Pulse and analog output scaled per unit of measure.
- ◆ Optional Hi and Lo alarms.
- ◆ Flowmeter Linearization.
- ◆ Factory configured when purchased with a Hoffer flowmeter.
- ◆ Several Enclosure options.
- ◆ CE Compliant.
- ◆ Windows® Configuration Software



PRODUCT DESCRIPTION

The CAT3 is a DC or AC powered, microprocessor controlled transmitter. It outputs a pulse scaled per unit of flow, and analog signal proportional to flow rate. The CAT3 can be configured with High and Low alarms.

SPECIFICATIONS

Input Signal Type:	Magnetic pickup, * MCP pickup, Contact Closure, Pulse.
Input Frequency Range:	0.2 Hz to 4 KHz.
Signal Level:	10 mV rms to 30 Vdc.
Power Supply:	8-30 Vdc, 100-240 Vac. Reverse polarity protection.
Analog Output:	4-20mA, 1-5V. 24mA overflow condition.
Load Resistance:	Max 650 Ohms at 24 Vdc.
Accuracy:	±0.02% of full scale.
Temperature Drift:	40 ppm/deg. C.
Pulse Output:	0-5V, * 0-10V, Open Collector, AC Square. Internal pull up 10 k Ohms. Recommended minimum load resistance 50 k Ohms.
Pulse Scaling:	Divide by 1, 10, 100 per flow unit of measure.
Hi/Lo Alarm:	Relay (2A, 30Vdc), 0-5V, Open Collector (0.5A, 30V).

Note: * Requires 12-30 Vdc power supply.

Communications:

RS232 port for configuration and diagnostics.

Operating Temperature:

-40° to +185°F.
(-40° to +85°C).

Humidity:

0-90% Non-Condensing.

Enclosure:

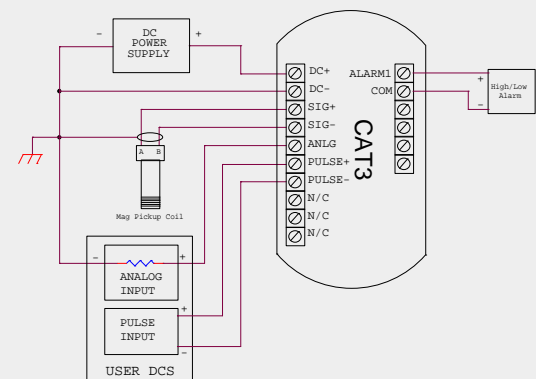
Extruded Aluminum.
DIN Rail Mount.
Explosion-Proof.
CE Compliant.

Regulatory:

Up to 20 Point Linearization.

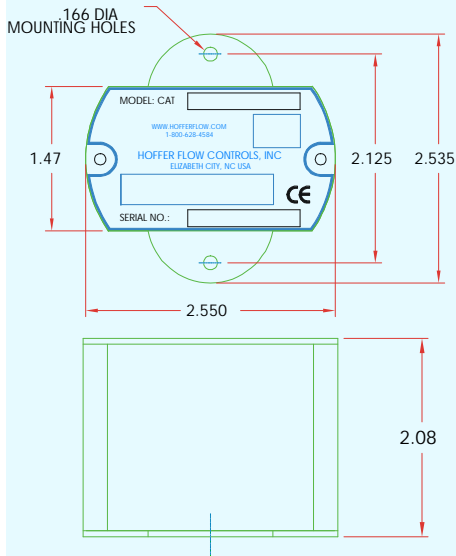
Windows® configuration software for device configuration, diagnostics and monitoring.

INSTALLATION WIRING

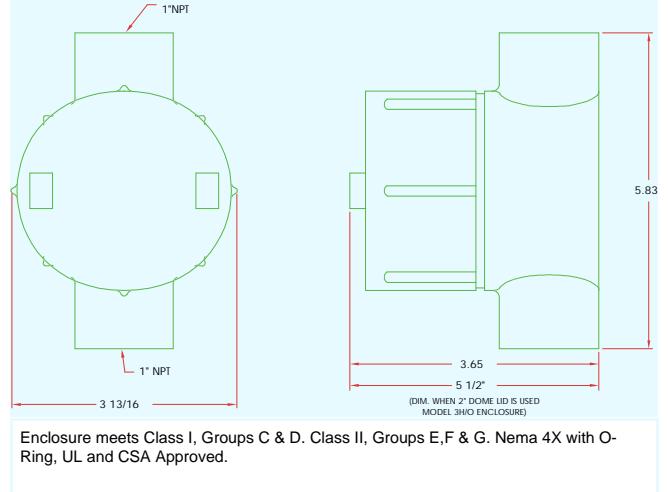


ENCLOSURE OPTIONS

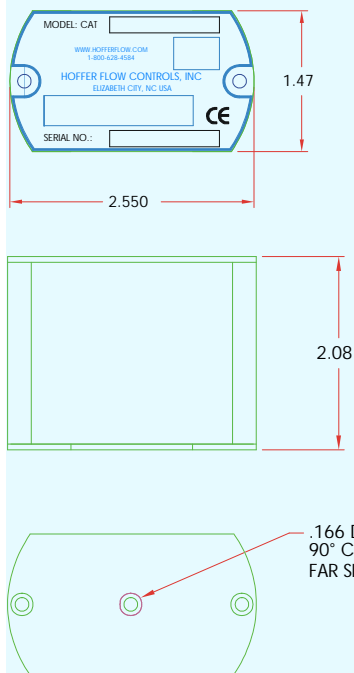
General Purpose Enclosure



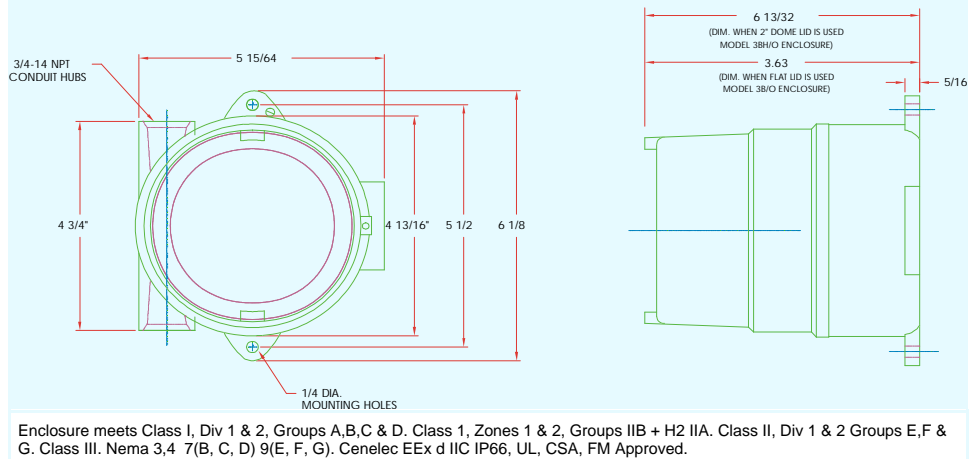
3/0 Explosion-Proof Enclosure



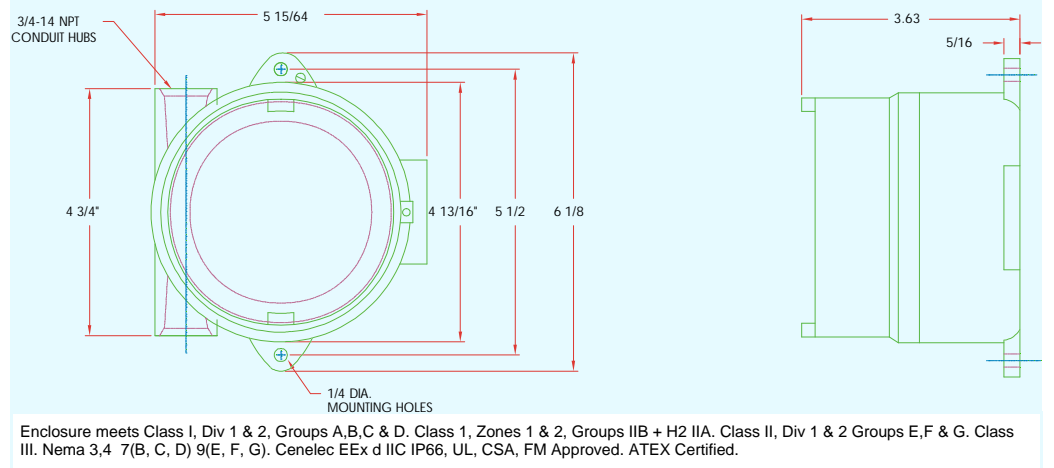
Din Rail Enclosure



3B/0 Explosion-Proof Enclosure



3B/0-ATEX Explosion-Proof Enclosure



H **HOFFER FLOW CONTROLS, INC.**
 107 Kitty Hawk Lane, P. O. Box 2145, Elizabeth City, NC 27906-2145
 800-628-4584 252-331-1997 FAX 252-331-2886
 www.hofferflow.com email: info@hofferflow.com

Litre Meter Limited Tel: 01296 670200
 Hart Hill Barn, Fax: 01296 670999
 Granborough Road
 North Marston
 Buckingham
 MK18 3RZ, UK
 http://www.litremeter.com
 sales@litremeter.com

